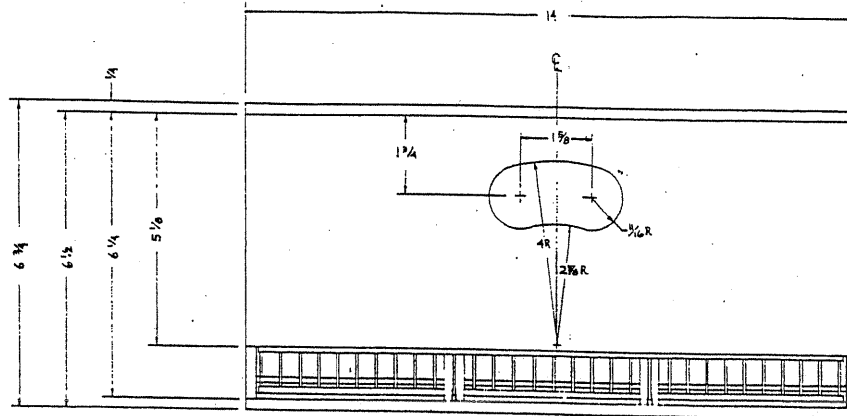




**CUTTING LIST**

- TOP ~ 1/4 x 5 7/8 x 14
- BOTTOM ~ 1/4 x 6 1/2 x 14
- BACK ~ 1/4 x 10 x 14
- SIDES (2) ~ 1/4 x 6 1/4 x 11 1/2
- FALSE TOP ~ 1/4 x 4 3/8 x 13 1/2
- FRONT ~ 1/2 x 2 1/2 x 13 1/2
- DOOR ~ 1/4 x 3 3/4 DIA.
- PERCHES (2) ~ 3/16 DIA. x 6 1/8 LONG

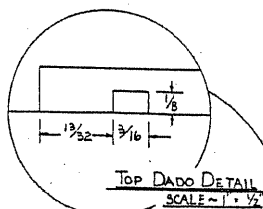


**TOP VIEW**

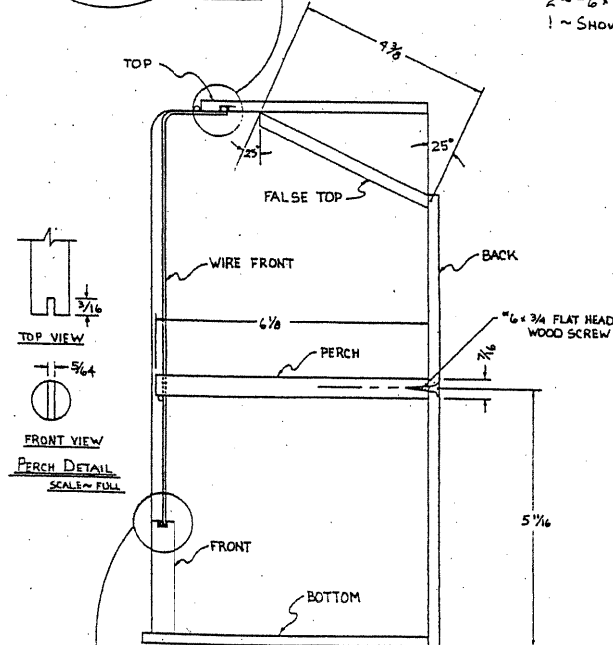
SCALE ~ 1/2" = 1"

**HARDWARE**

- 12 ~ 1/16" DIA BRASS BRAZING ROD
- 6 ~ 5/16" LONG STAPLES
- 2 ~ #6 x 3/4 FLAT HEAD WOOD SCREWS
- 1 ~ SHOW CAGE FRONT W/ 31 VERTICAL BARS (SNAP-IN STYLE)

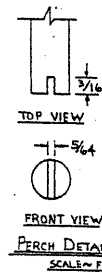


**TOP DADO DETAIL**  
SCALE ~ 1" = 1/2"

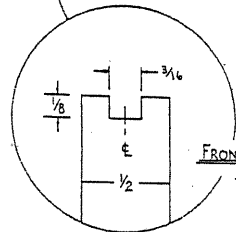


**SECTION A-A**

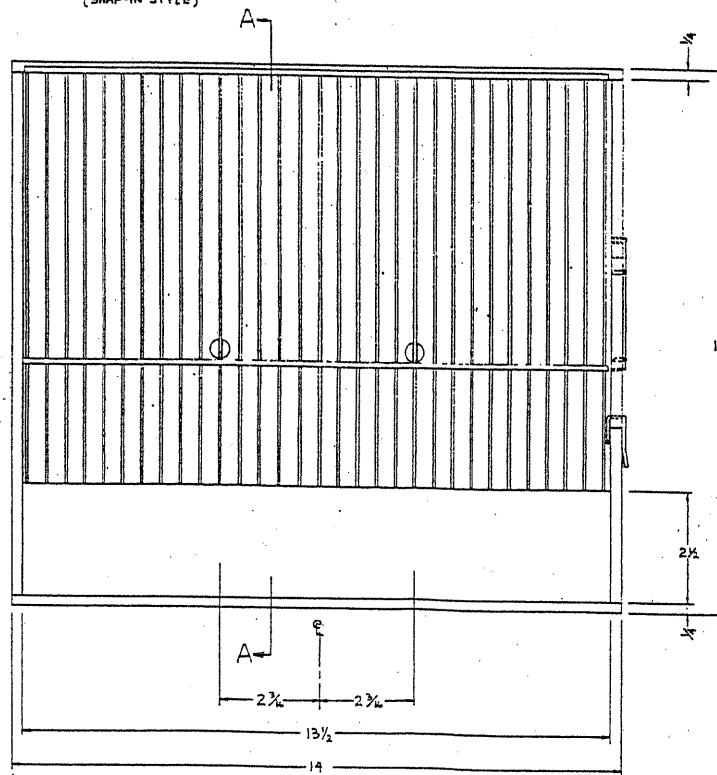
SCALE ~ 1/2" = 1"



**FRONT VIEW**  
SCALE ~ FULL



**FRONT DADO DETAIL**  
SCALE ~ 1" = 1/2"

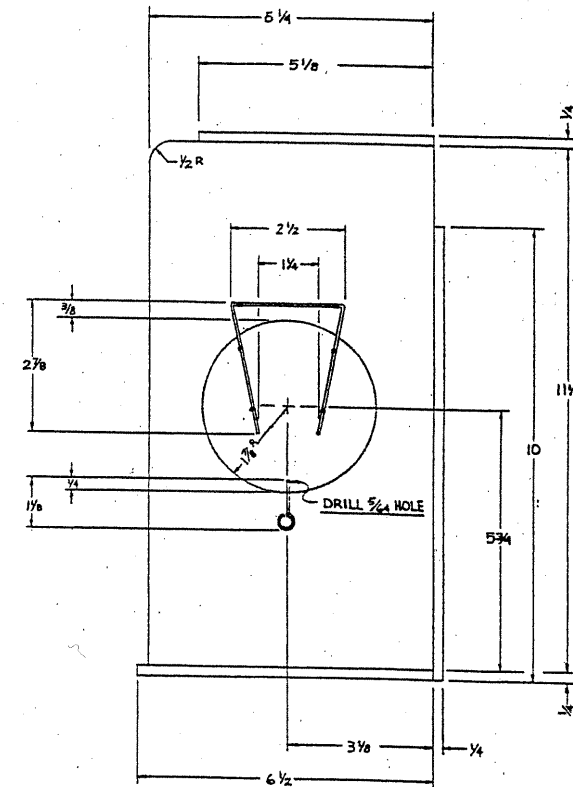


**FRONT VIEW**

SCALE ~ 1/2" = 1"

**NOTES**

- 1) THE #2 NFS CAGE IS USED FOR FINCHES LARGER THAN ZEBRAS UP TO AND INCLUDING JAVA OR BULLFINCHES.
- 2) CABINET-GRADE HARDWOOD PLYWOOD IS RECOMMENDED.
- 3) ASSEMBLE WITH WOOD GLUE AND 5/8" BRADS.
- 4) ALL DIMENSIONS ARE GIVEN IN INCHES UNLESS OTHERWISE SPECIFIED.
- 5) DIMENSIONS ARE GIVEN FOR NOMINAL 1/4" PLYWOOD, HOWEVER, YOU MUST CHECK THE ACTUAL THICKNESS OF THE MATERIAL YOU ARE USING AND ADJUST THESE DIMENSIONS TO ACHIEVE SPECIFIED OVERALL SIZE.
- 6) PLANS ARE DRAWN TO ACCOMMODATE 31-WIRE SNAP-IN FRONTS.
- 7) DOOR HINGE AND LATCH ARE FORMED WITH 1/16" DIA. BRASS BRAZING ROD.  
HINGE: ADD 1/4" TO MEASUREMENT GIVEN FOR EACH SIDE (3 1/8" EA.). THIS 1/4" IS BENT 90° AND DRIVEN INTO DOOR. DRIVE 4 STAPLES OVER HINGE AS SHOWN. HINGE IS ATTACHED TO CAGE W/ 2 ADDITIONAL STAPLES. LATCH: FORM LOOP AS SHOWN. MEASURE 1 1/8" AND BEND 90°, CUT 1" BEYOND BEND. INSERT THROUGH 1/2" HOLE IN DOOR. BEND END DOWN. (SEE "FRONT VIEW")
- 8) PAINTING: EXTERIOR - BLACK SEMI-GLOSS. INTERIOR - WHITE, PALE BLUE (SHERWIN-WILLIAMS "SW1494" - 1 QT PURE WHITE, 1/4 + 1/28 BLUE, 1/28 GREEN, 1/28 BLACK), OR PALE BEIGE (SHERWIN-WILLIAMS "SW1081" - 1 QT PURE WHITE, 1/32 + 1/64 YELLOW, 1/64 MAROON, 1/64 BLACK) NOTE: THE ABOVE FORMULAS ARE NOT MANDATED BY NFS AT THIS TIME BUT MAY BE IN THE NEAR FUTURE.



**RIGHT SIDE VIEW**

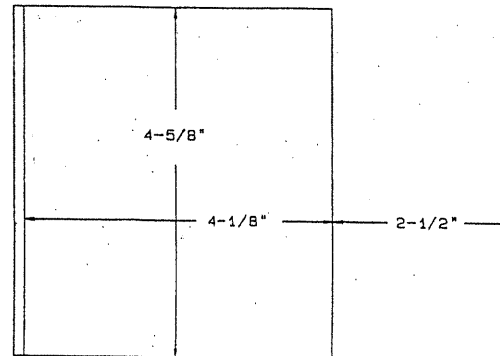
SCALE ~ 1/2" = 1"

<p>NATIONAL FINCH &amp; SOFTBILL SOCIETY</p>		<p>NFS #2 STANDARD SHOW CAGE</p>	
<p>SCALE: AS NOTED</p>		<p>DATE: 7.15.93</p>	
<p>DESIGN BY: MacLennan Associates</p>			

FRONT  
 1/2" THICK X 3-1/8" X 17-1/2"  
 3/16" WIDE X 1/8" DEEP GROOVE  
 CUT IN ONE EDGE ONLY

RIGHT SIDE  
 1/4" THICK X 9-3/4" X 16-1/2"  
 1/2" RADIUS ON ONE CORNER  
 HOLE FOR DOOR LOCATED AS SHOWN  
 APPROX. 60° CHAMFER ON OUTSIDE SURFACE  
 ON FRONT EDGE OF DOOR HOLE

LEFT SIDE  
 1/4" THICK X 9-3/4" X 16-1/2"  
 1/2" RADIUS ON ONE CORNER



TOP  
 1/4" THICK X 6-1/2" X 18"  
 CENTER OF A 3/16" WIDE X 1/8" DEEP  
 SLOT TO BE LOCATED 1/2" IN  
 FROM ONE EDGE  
 FOR CAGE FRONT TO LOCK IN PLACE

DOOR  
 1/4" THICK X 4-1/4" WIDE X  
 4-5/8" HIGH  
 60° CHAMFER ON ONE EDGE  
 ONLY - FIT DOOR TO  
 OPENING IN RIGHT SIDE

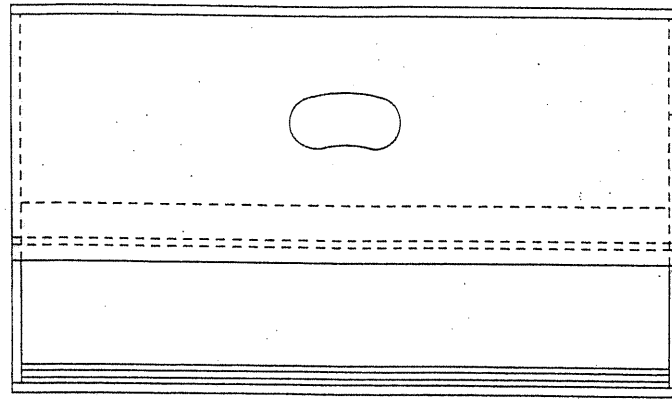


THE NATIONAL FINCH SOCIETY  
SHOW CAGE PLANS - CAGE #3

FALSE TOP  
1/2" THICK X 6" X 17-1/2"  
30° CHAMFER ON BOTH EDGES PARALLEL TO EACH OTHER

BACK  
1/4" THICK X 13-7/8" X 18"

BOTTOM  
1/4" THICK X 10" X 18"



THE NATIONAL FINCH SOCIETY  
SHOW CAGE PLANS - CAGE #3

